



GSV1202S

DisplayPort 1.2 to HDMI 1.4 Converter with
Embedded MCU

May, 2023

Preliminary Product Specification

深圳市昂纬科技开发有限公司
17688724040
www.onwaytech.com
vera.huang@onwaytech.com

1. General Description

1.1 General Information

Gschoolink GSV1202S is a high-performance, low-power, USB Type-C Alternate Mode DisplayPort 1.2 to HDMI 1.4 converter. By integrating enhanced microcontroller and flash, GSV1202S has created a cost-effective solution that provides time-to-market advantages. The DisplayPort Receiver supports up to 10.8Gbps (HBR2, 2-lane) and HDMI Transmitter supports up to 9Gbps (TMDS, 3G3Lane). Integrated Power Delivery 3.0 controller handles Type-C CC interface for USB power management and DisplayPort mode entry. The superior architecture of GSV1202S provides economical smaller footprint solutions using QFN48, targeting application of Type-C Hub, Type-C Dongle, Cable.

GSV1202S supports all DisplayPort SDP packets pass-through to HDMI output. HDCP 1.4 is implemented in GSV1202S for both DisplayPort Rx and HDMI Tx. Color Space Conversion, 444/422-420 Converter are supported at HDMI Tx in TMDS mode.

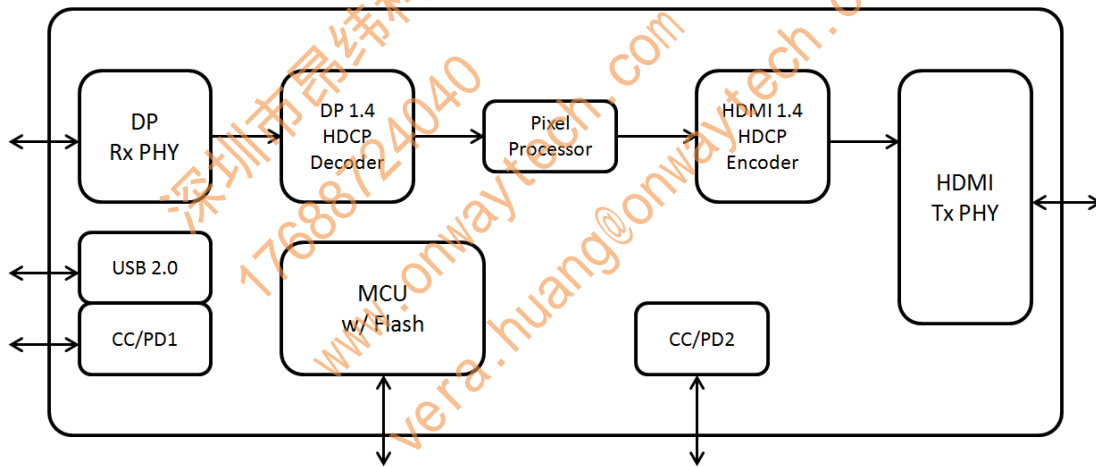


Figure 1. Top Diagram

The supported audio formats are listed in Table 1

Table 1. Supported Audio Format

Packet ID	Packet Type	Sampling Frequency (KHz)		
		32/44.1/48/88.2/ 96/176.4/192	256/352.8/384/ 512/705.6/768	64/128
0x02	Audio Sample Packet (LPCM and Compressed Audio)	Y		Y
0x07	One Bit Audio Sample Packet	Y		

0x08	DST Audio Packet	Y		
0x09	High Bit-rate Audio Stream Packet	Y	Y	

1.2 Features

1.2.1 DisplayPort Receiver

- Compliant with VESA DisplayPort 1.2
- Compliant with HDCP 1.4
- Support HBR2, HBR and RBR (5.4/2.7/1.62 Gbps)
- Flexible 1/2 lane Main-Link configuration
- Programmable Adaptive Equalization
- Support Full-Link Training and No-Link Training
- Support High Dynamic Range (HDR) and Dynamic/Static Metadata
- Support Horizontal Blanking Expansion up to 4K@30Hz format
- Support Forward Error Correction (FEC)
- Embedded arbitrary EDID and MCCS
- Support Spread Spectrum Clock (SSC)
- 3D format support of frame sequential, stacked frame, side-by-side, top-to-bottom

1.2.2 HDMI Transmitter

- Compliant with HDMI 1.4b
- Compliant with HDCP 1.4
- Data rate up to 9Gbps (TMDS 3Gbps/3 Lane)
- Programmable Voltage Swing, Slew-Rate and Pre-emphasis
- Support AC-coupling on TMDS
- Support Color Space Converter
- Support HDR (HDR10/HDR10+/Dolby Vision/HLG)
- 5V tolerance on DDC/HPD pins
- 3D format support of frame packing, side-by-side, top-and-bottom

1.2.3 USB Type-C Interface

- Dual USB Power Delivery 3.0 Compliant controller

- 4 Configuration Channels (CC) with on-chip Rp/Rd resistors
- Dual Role Power Port (DRP)
- Fast Role Swap
- USB 2.0 Billboard Enumeration

1.2.4 System Features

- Embedded internal MCU and Flash
- External 25MHz Crystal required
- Available Pins for UART/Timer/GPIO
- Temperature Sensor Monitoring Circuit

深圳市昂纬科技开发有限公司
17688724040
www.onwaytech.com
vera.huang@onwaytech.com

1.3 Chip Application Modes

1.3.1 DP to HDMI Conversion in Type-C Hub Application

Based on the DisplayPort input and output requirement, GSV1202S can output in HDMI 1.4 mode for the best compatibility in 4K/2K timings.

After CC/PD controller tunes Type-C UFP into Alternative DP mode, GSV1202S handles Type-C UFP's TX/RX/SBU for DisplayPort to HDMI conversion. GSV1202S's internal USB 2.0 controller can enumerate Billboard for source identification when USB 2.0 is not externally connected to other DFPs. External USB 3.0/2.0 Controller can handle USB protocol transactions.

Using another embedded CC/PD controller, Type-C DFP can provide power supplied from Type-C UFP VBUS.

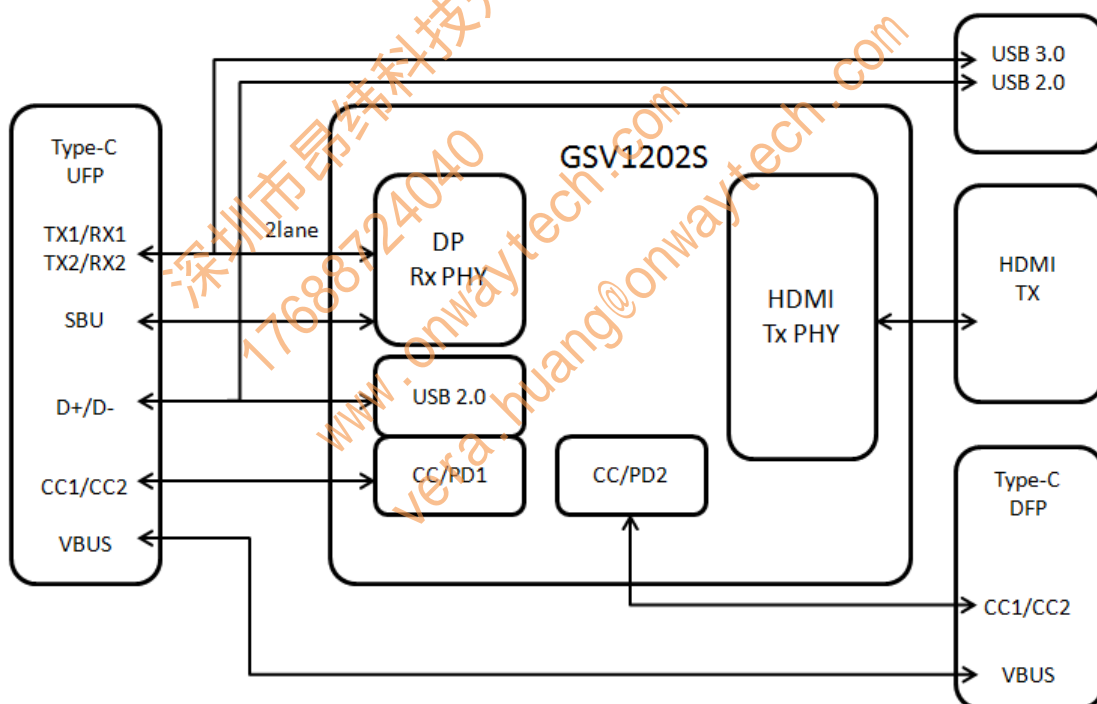


Figure 2. DisplayPort to HDMI TMDS mode Conversion in Hub Application

2. Pin Description

2.1 Pin Diagram

QFN48 Pin definition is defined as below.

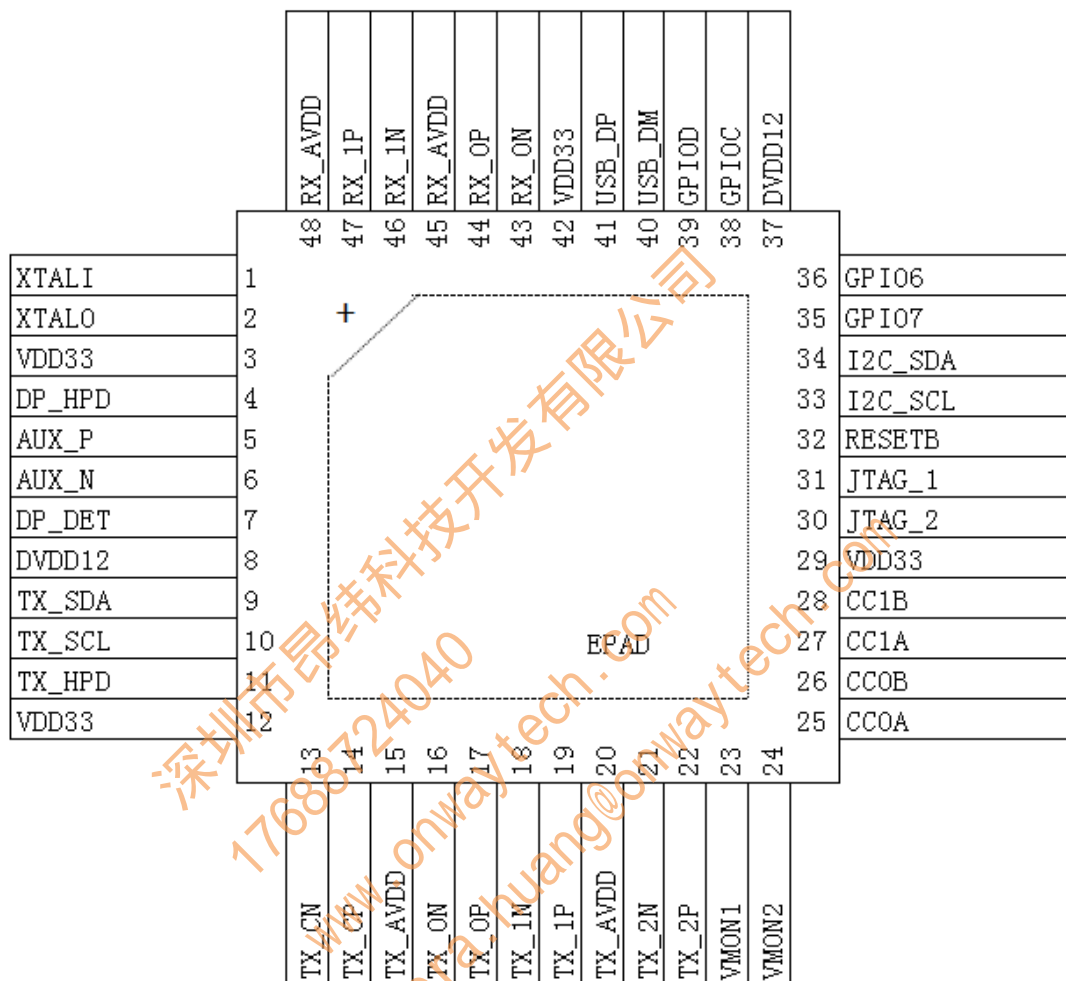


Figure 3. GSV1202S QFN48 Pin Diagram

2.2 Pin Description

Table 2. QFN48 Pin Description

Pin Name	Direction	Pin No.	Description
DisplayPort Rx Pins			
DP_DET	I	7	RX DP Detection PAD Alternate 1: GPIO16

4. Package Information

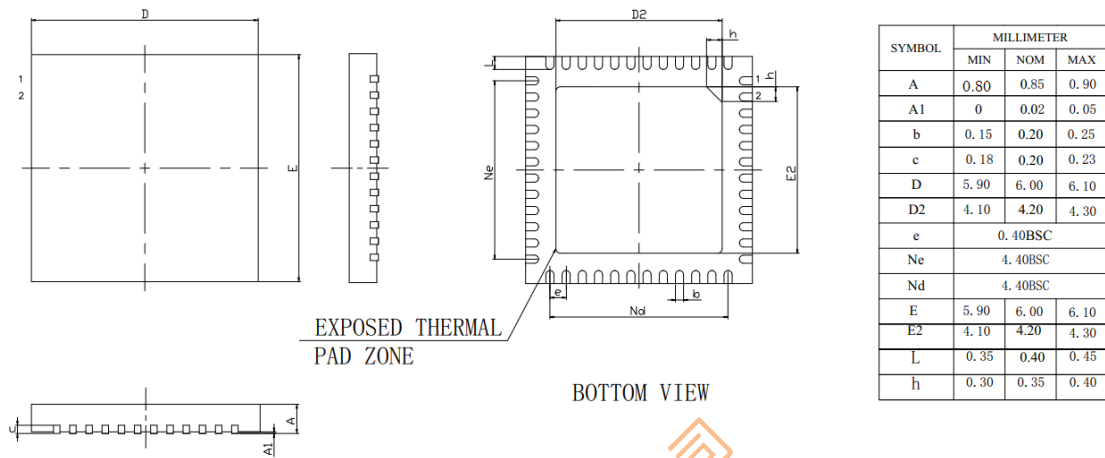


Figure 7. Package Dimensions (QFN48)

深圳市昂纬科技开发有限公司
 17688724040
 www.onwaytech.com
 vera.huang@onwaytech.com

5. Ordering Guide

Table 6. Ordering Information

Part Number.	Temperature Range	Package Description	Packing Type
GSV1202S	-40°C to +85°C	QFN48	Tray

深圳市昂纬科技开发有限公司
17688724040
www.onwaytech.com
vera.huang@onwaytech.com